

## CANOPY LIGHT SERIES

Specially developed Canopy Light for petrol pumps and gas stations. In the dark hours of the night or early morning, artificial lighting becomes an indispensable part of running a petrol station. Correct light distribution and extensive light out put would figure your project out in late hours.

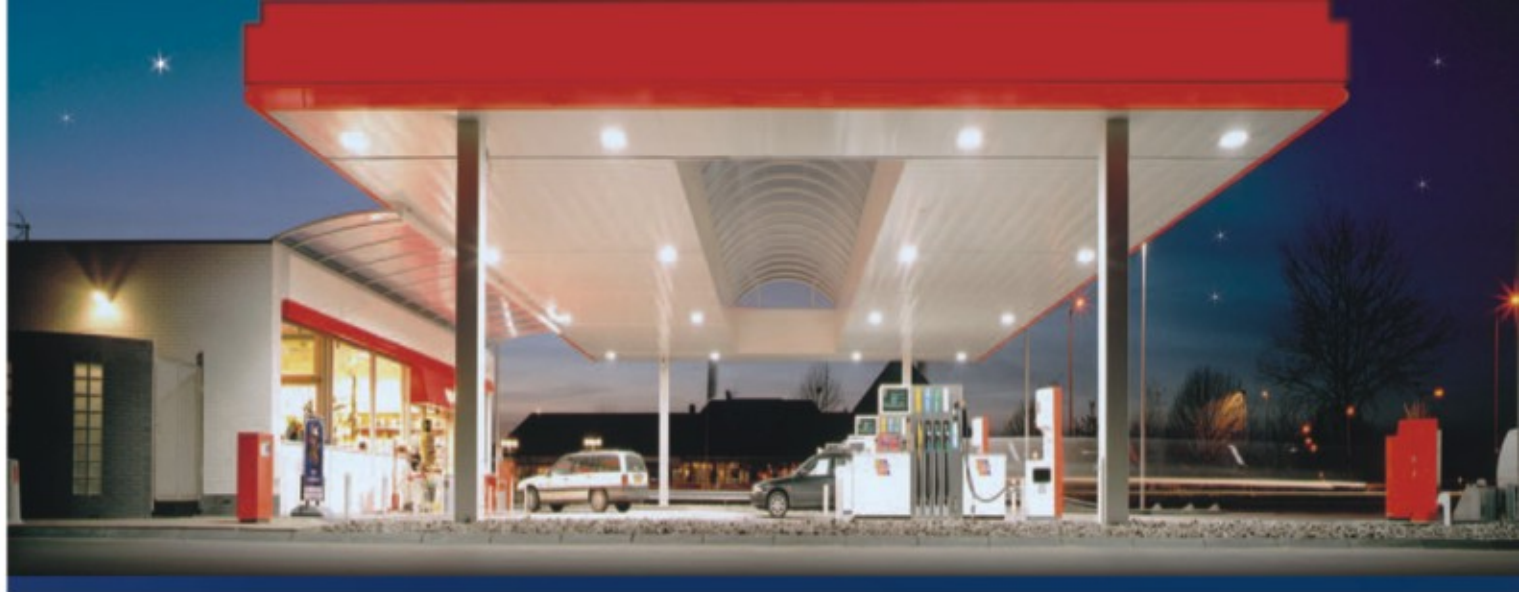
### FEATURES

- Sparkling white color body.
- Pre-wired with Paklite quality ballast and holders.
- White reflector to cut light distribution more correctly.
- Recessed fixture for inner fitting on gas station ceilings.
- Elegant aluminum reflector to create light distribution correctly.
- Advance gear box slight to open to reduce possible maintenance cost.

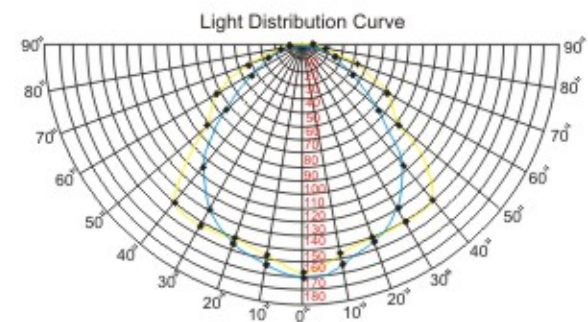
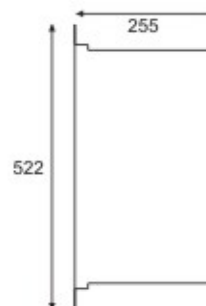
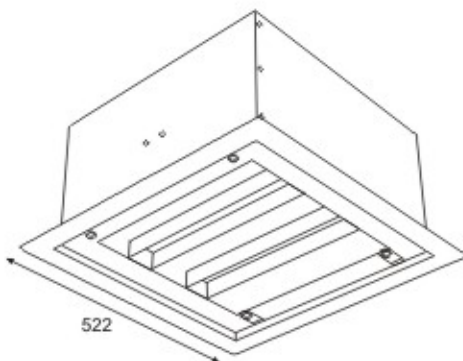


CP250





## CANOPY LIGHT SERIES



### APPLICATIONS

- Gas Stations
- Petrol Pumps
- Car Service Stations

### SPECIFICATIONS:

Item Code	Description	Length	Width	Height	Watts	Amp.
CP250-M	Canopy Light for 250 Watt Mercury Lamp	525	525	255	250	2.15
CP250-H	Canopy Light for 250 Watt Hellogen Lamp	525	525	255	250	3
CP400-M	Canopy Light for 400 Watt Mercury Lamp	525	525	255	400	3.25
CP400-H	Canopy Light for 400 Watt Hellogen Lamp	525	525	255	400	3.5

Design & dimension are subject to change without notice.