

PAKLITE BALLASTS

In the Paklite labs, our engineers have developed a new breed of ballast to make such lighting system that saves more energy, are more adaptable, and deliver optimal lamp performance. The innovative, technology in our new quality ballasts exceed expectations, and are like nothing else available. Our production line passes through a series of tests i-e High Voltage Test, High Voltage Leakage Test, Low Voltage Test & Impact Test etc. Ballast Manufactured in Paklite are maximum energy cost saving as a are almost five times fast payback as compared to ordinary ballast.

FEATURES

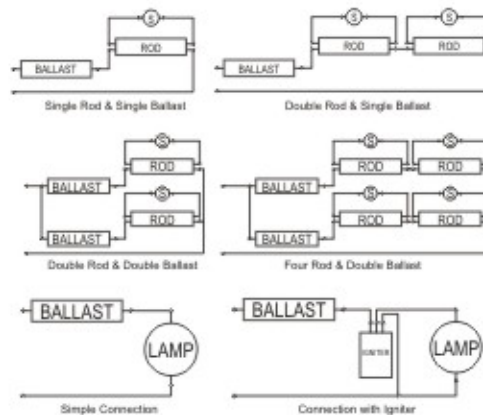
- Made with electrical steel sheet.
- Purest polyamide supper enameled copper wire.
- Low power losses.
- Correct lamp current for long life of lamp.
- Correct wattage.
- Slim and low weight.
- No humming no nasty noises.
- Screws type connectors.
- Correct pre heat current.

APPLICATIONS

- T8, T10 and T12 Rods Application
(for low power ballast.)
- Road Lights
- Flood Lights
- High Way Lights
- Street Lamps
- High Bay Lights
(for high power ballasts)



WIRING DIAGRAMS



TECHNICAL PARAMETERS

Item Code	POWER	SUPPLY VOLTAGE	CURRENT	STARTING VOLTAGE	OPERATING CURRENT	STARTING CURRENT	TEMP. RISE
PL 06	6 W	220	0.095	≥ 165	0.095	≥ 0.03	≤ 45 C°
PL 08	8 W	220	0.148	≥ 165	0.148	≥ 0.10	≤ 45 C°
PL 10	10 W	230	0.24	≥ 165	0.24	≥ 0.13	≤ 45 C°
PL 15	15 W	230	0.33	≥ 175	0.33	≥ 0.12	≤ 55 C°
PL 20	20 W	230	0.37	≥ 175	0.37	≥ 0.22	≤ 55 C°
PL 32	32 W	240	0.41	≥ 175	0.41	≥ 0.13	≤ 55 C°
PL 40	40 W	240	0.43	≥ 175	0.43	≥ 0.15	≤ 55 C°
PL 125	125 W	240	1.15	≥ 125	1.15	≥ 0.67	≤ 70 C°
PL 250	250 W	240	2.15	≥ 150	2.15	≥ 1.6	≤ 70 C°
PL 400	400 W	240	3.25	≥ 150	3.25	≥ 2.7	≤ 65 C°
SB 70	70 W	240	1	≥ 180	1	≥ 0.9	≤ 70 C°
SB 150	150 W	240	1.8	≥ 180	1.8	≥ 1.5	≤ 70 C°
SB 250	250 W	240	3	≥ 180	3	≥ 2.7	≤ 70 C°

SPECIFICATIONS:

Item Code	Description	Length	Width	Height	Watts	Screw Distance	Amp.
PL06	Ballast for 06 watt	100	40	30	6	82	0.095
PL08	Ballast for 08 watt	140	40	30	8	120	0.148
PL 10	Ballast for 10 watt	140	40	30	10	120	0.24
PL 15	Ballast for 15 watt	140	40	30	15	120	0.33
PL 20	Ballast for 20 watt	140	40	30	20	120	0.37
PL32	Ballast for 32 watt	140	40	30	32	120	0.41
PL40	Ballast for 40 watt	140	40	30	40	120	0.43
PL 125	Ballast for 125 watt for Mercury	145	70	60	125	115	1.15
PL250	Ballast for 250 watt for Mercury	130	75	65	250	105	2.15
PL400	Ballast for 400 watt for Mercury	160	75	65	400	135	3.25
SB70	Ballast for 70 watt for Sodium	145	70	60	70	115	1
SB150	Ballast for 150 watt for Sodium	165	90	65	150	140	1.8
SB250	Ballast for 250 watt for Sodium	160	75	65	250	135	3

Design & dimension are subject to change without notice.