



## SMART LIGHTS

Proudly presents fully covered Slim & Smart Light. Its super dynamic shape gives smart look in interior. Lined pattern diffuser gives the glorious touch, you deserve.

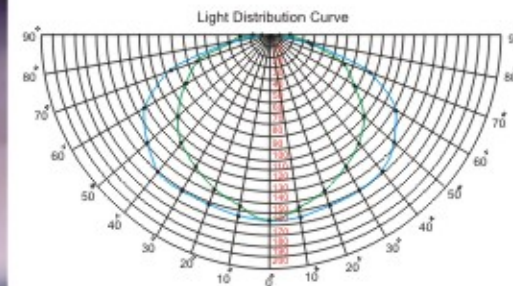
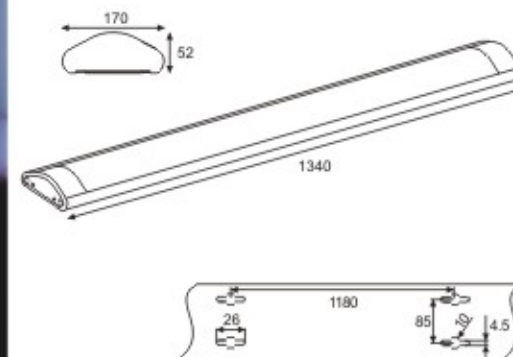


### APPLICATIONS

- Executive Offices
- Reception Areas
- Boutiques
- Display Centers
- Show Rooms
- Schools
- Computer Labs
- Passages
- Verandas
- Galleries



SMT240



# SMART LIGHTS

## FEATURES

- Super dynamic shape.
- Low maintenance cost.
- Gleaming white powder paint.
- De-greased & de-rusted mild steel sheet.
- Lining designed, screw less upper case diffuser.
- Several quality checks to ensure customers' satisfaction.
- Wiring equipped with flame proof sleeves and Paklite quality ballast.



SMT140

## SPECIFICATIONS:

Item Code	Description	Length	Width	Height	Watts	Screw Distance	Amp.
SMT120	Smart Light 2ft. Single for 1X18/20 Watt Lamp	725	115	45	20	520X55	0.37
SMT220	Smart Light 2ft. Double for 2X18/20 Watt Lamp	730	170	52	40	470X85	0.43
SMT140	Smart Light 4ft. Single for 1X36/40 Watt Lamp	1335	115	45	40	1130X55	0.43
SMT240	Smart Light 4ft. Double for 2X36/40 Watt Lamp	1340	170	52	80	1080X85	0.86

Design & dimension are subject to change without notice.



SMT220

