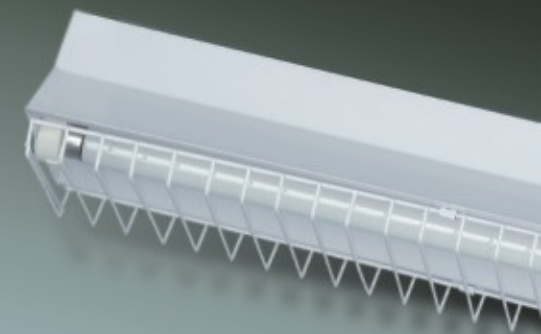
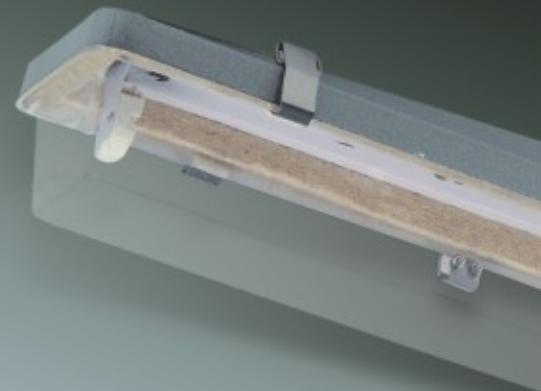


STREET LIGHT SERIES

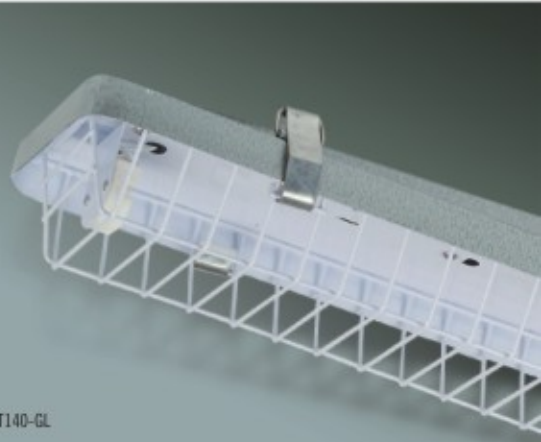
Traditional Lighting for boundary walls and uncovered passage areas. Quality is priority that's why its strong structure would last for long in tough weather.



ST140-SLM



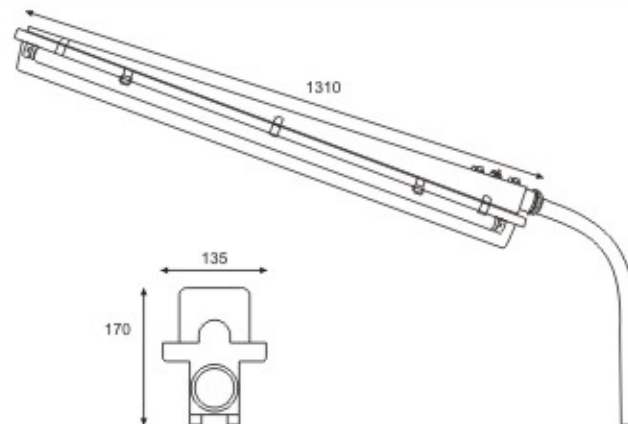
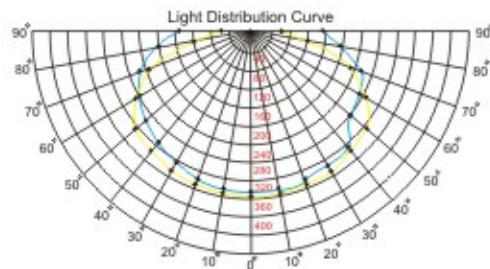
ST140-BL



ST140-GL

APPLICATIONS

- Parks
- Streets
- Parking
- Garages
- Walkways
- Back Yards
- Small Roads
- Play Grounds
- Boundary Walls
- Entrance
- Gateways



STREET LIGHT SERIES



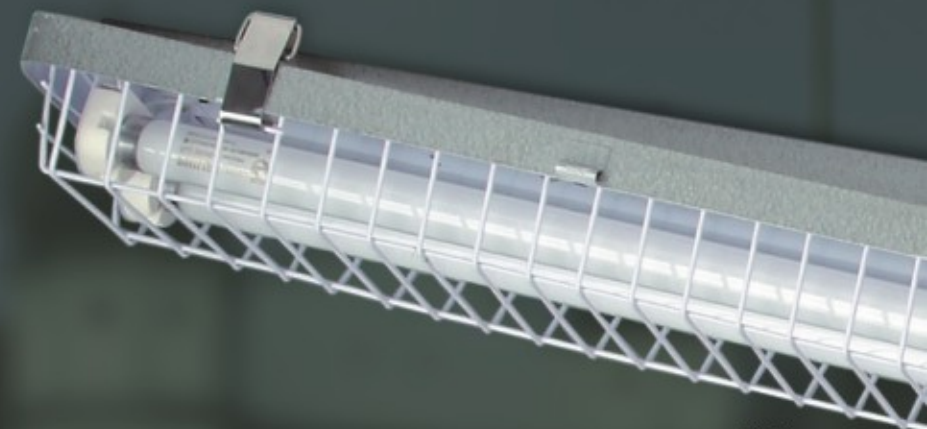
FEATURES

- Available in 4ft single and double rod functions.
- Pre-wired with Paklite quality ballast and holders.
- Model available with bowl meets quality standard IP54.
- Grill could be replaced with transparent bowl for low maintenance cost.
- Extra strong grip of structure on pipe makes the fixture more strength full.
- Special sealing in between bowl and structure to prevent possible induction of insects and dust.
- Easy removal and reinstallation facility of bowl and grill through clumps thus reduces the maintenance cost.
- Special hammer paint on pre treated mild steel sheet body to with stand rough atmospheric conditions.

SPECIFICATIONS:

Item Code	Description	Length	Width	Height	Watts	Pole Diameter	Amp.
ST140-BL	Street Light 4ft. Single for 1X36/40 Watt Lamp with bowl	1310	135	170	40	42	0.43
ST140-GL	Street Light 4ft. Single for 1X36/40 Watt Lamp with Grill	1310	135	150	40	42	0.43
ST240-BL	Street Light 4ft. Double for 2X36/40 Watt Lamp with Bowl	1310	135	170	80	42	0.86
ST240-GL	Street Light 4ft. Double for 1X36/40 Watt Lamp with Bowl	1310	135	150	80	42	0.86
ST140-SLM	Street Light 4ft. Single Slim for 1X36/40 Watt Lamp with Grill	1230	150	105	40	42	0.43

Design & dimension are subject to change without notice.



ST240-GL