



TL240



TLG240



TEXTILE LIGHT SERIES

Specially developed for Textile Industry of Pakistan. Don't mess with fluff, because a model of fluff proof Textile Light is also available. Glare free reflection and outclass performance results in professional look. Mounting up in series plus switch facility would result in fulfilling round the clock operational needs of our valuable costumers.

APPLICATIONS

- Textile Industries
- Weaving Units
- Stitching Units
- Dying Units
- Workshops
- Tanneries
- Godowns
- Covered Passages

TEXTILE LIGHT SERIES

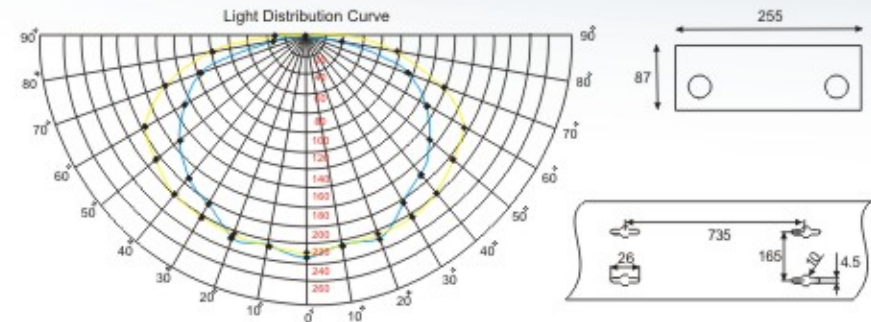
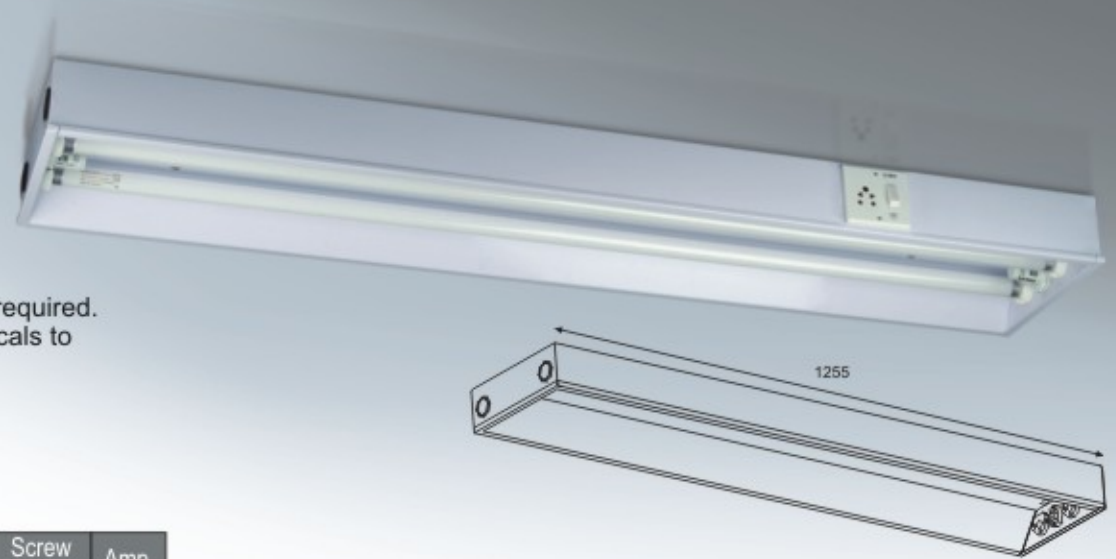
FEATURES

- Can be fitted in Channel for series operation.
- Lustrous white color results in professional look.
- Fluff proof model is available where more precise weaving is required.
- Body completely treated with de-greaser and de-ruster chemicals to enhance life of product.

SPECIFICATIONS:

Item Code	Description	Length	Width	Height	Watts	Screw Distance	Amp.
TL140	Textile Light 4ft. Single for 1X36/40 Watt Lamp	1255	255	87	40	735X165	0.43
TLG140	Textile Light 4ft. Single for 1X36/40 Watt Lamp with Glass Cover	1255	260	95	40	730X185	0.43
TLS140	Textile Light 4ft. Single for 1X36/40 Watt Lamp with Switch Facility	1255	255	95	40	730X185	0.43
TL240	Textile Light 4ft. Double for 2X36/40 Watt Lamp	1255	255	87	80	735X165	0.86
TLG240	Textile Light 4ft Double for 2X36/40 Watt Lamp with Glass Cover	1255	260	95	80	730X185	0.86
TLS240	Textile Light 4ft Double for 2X36/40 Watt Lamp with Switch Facility	1255	255	95	80	730X185	0.86

Design & dimension are subject to change without notice.



TLS240

